

RESIDENTIAL PROPERTY RECORD CARD

Date Printed 04/22/19

Owner Information

Parcel 1398000010000000
 Owner SECRETARY OF HOUSING & URBAN
 C/O INFO SYSTEMS NETWK
 1374 MAPLE ST
 OKLAHOMA, OK 73107
 Location 0R2 1374 MAPLE ST
 Descr: TUCKERS ADDN AMMENDED~LT 1~~YB
 1930 SQ 758 FB

Parcel Value Information

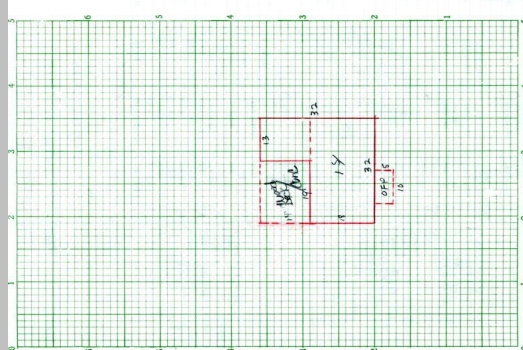
Land Value	30,000	Homestead	0
Dwelling Value	96,500	Housesite	0
Site Imprvmt	0		
Outbuildings	0		
Misc. Adj.	0		
Total	126,500		

Parcel Information

Tax Map #	/1/	NBHD	12
Span		Acres	0.17
Status	A - Active	Last Update	03/13/19

Sales Information

Book	360785	Sale Date	02/08/19
Page	51946	Sale Price	120,175



Sketch Updated: / /

BUILDING	Total Rooms	0	Year Built	1930	Building SF	758	Energy Adj	No Data	Roughins	1
	Bedrooms	3	Effect Age	10.0	Quality	2.00	Bsmt Wall	Conc 8"	Plumb Fixt	6
	Full Baths	1	Condition	Average	Style	1 Story	Bsmt SF	758.00	Fireplaces	0
	Half Baths	0	Phys Depr	10	Design	No Data	Bsmt Fin	Partition	Porch	638
	Kitchens	1	Funct Depr	0	Bldg Type	Single	Bsmt Fin SF	758	Gar/Shed	0
		Econ Depr	0					% Complete:	0	

INSPECT	INSP.	NoData	INSP.	NoData	INSP.	NoData	APPT	NoData	APPTSCHD
----------------	-------	--------	-------	--------	-------	--------	------	--------	----------

NOTES